

# General Specifications

Model SICD Counter

YEW SERIES 80

The SICD Counter receives pulse signals from an SIND Integrator and indicates the signal values on a six-digit display.

## STANDARD SPECIFICATIONS.

- Input Signal:** Voltage pulse.
- Maximum Pulse Frequency:** 10 pulses per second (pps).
- Pulse Amplitude:** 24 V DC  $\pm 10\%$ , minimum ON or OFF time 25 ms.
- Current Consumption:** 140 mA (during voltage ON time).
- Indicator:** Six-digit display, white numerals on black background.
- Reset:** By manual pushbutton. (Reset lock provided).

### Normal Operating Conditions

- Ambient Temperature:** 0 to 50°C.
- Ambient Humidity:** 5 to 90% relative humidity (non-condensing).

### Insulation Resistance:

Between Input Terminals and Case (Ground): 100 M $\Omega$ /500 V DC.

### Dielectric Strength:

Between Input Terminals and Case (Ground): 1000 V AC for 1 minute.

**Signal Wiring:** ISO M3 (3 mm) screw terminals on rear of counter.

**Mounting:** Panel mounting.

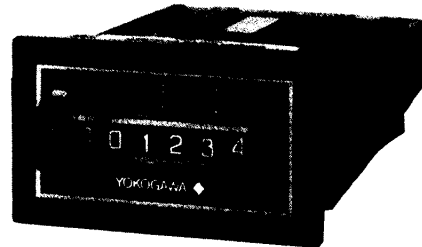
### Materials:

Front Panel: ABS resin.

Case: Zinc diecast.

**Dimensions:** 35 (H)  $\times$  60 (W)  $\times$  89 (D) mm.

**Weight:** 0.3 kg.



## ACCESSORIES.

Labels for engineering-units marking . . . . . 1 set.

## MODEL AND SUFFIX CODES.

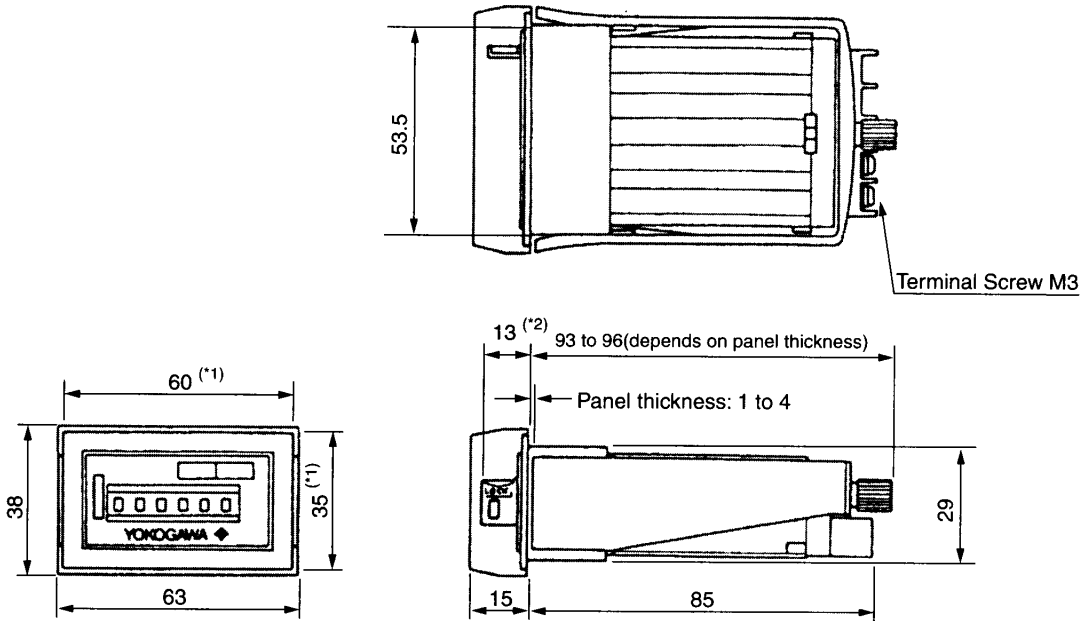
Model	Suffix Code	Description
SICD . . . . .		Counter
	-000 . . .	Always 000
Style Code	*A	Style A

## TERMINAL CONNECTIONS.

Terminal Designation	Description
1 $\oplus$	$\left. \begin{array}{l} + \\ - \end{array} \right\}$ Totalizer pulse (connect to terminals A (-) and F (+) or C (-) and F (+) of SIND Integrator)
2	

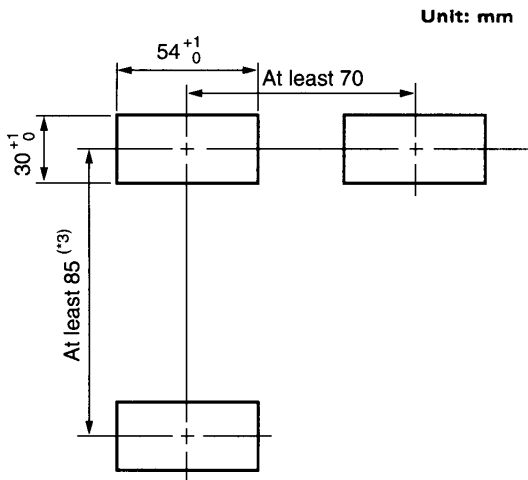
**EXTERNAL DIMENSIONS.**

Unit: mm



**PANEL CUTOUT.**

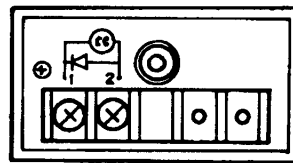
(Panel thickness: 1 to 4 mm).



Unit: mm

- \*1 Dimensions when the acrylic cover is detached.
- \*2 Dimensions when the reset button is locked.
- \*3 Recommended dimension when the name plate is attached under the instrument.

**TERMINAL LAYOUT.**



Terminal Connections

Terminal Designation	Description
1 ⊕	+ > Input
2 ⊖	

(Note) The terminals have polarity. Pay attention when connecting the terminals.

**ORDERING INSTRUCTIONS**

When ordering, specify the model and suffix codes.

**RELATED EQUIPMENT**

SIND Integrator . . . . . See GS 1B4M1-E